

**Product: STORAGE UNITS**

It is a range of open storage units or with door. The top and the bottom panels are 3 cm thick, the back and the doors are 1,8 cm thick, while the shelves are 3 cm thick. All storage units are equipped with lock.

**TECHNICAL FEATURES**

**Structure:** made of chipboard panels, top and bottom 30 mm thick, back 18 mm thick, shelves 30 mm thick. Available in Melamine, sablè lacquered or Veneer finish.

**Doors and fronts:** made of chipboard panels 18 mm thick. Available in Melamine, sablè lacquered or Veneer finish. Doors also available in glass; when doors are in glass the frame is in Veneer.

**FINISHES**

**Structure:**

**Melamine:** UE White, Silver, Titanio, Delavè, Comfort, White Snow, Magnolia, Oak 2017, Eucalyptus, White Colour Fir.

**Sablè lacquered,** available in different sample collection colours.

**Veneer:** Magnolia, Colour White Fir, Nuvola stained Oak, Natural Oak 2016, American Walnut, Eucalypts, Wengè, Zebrano Brown, Ebano.

**Doors and fronts:**

**Melamine:** see structures finishes.

**Sablè lacquered,** available in different sample collection colours.

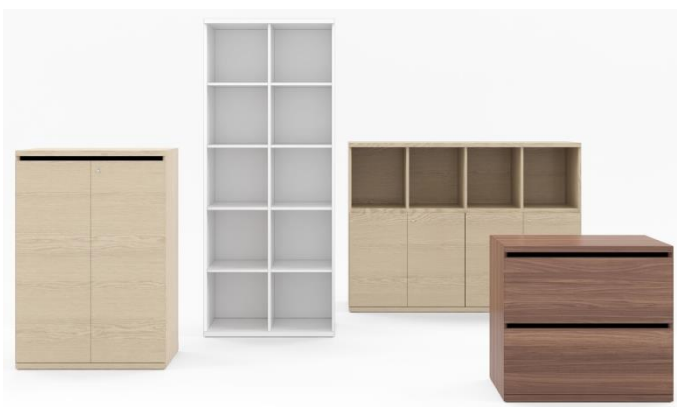
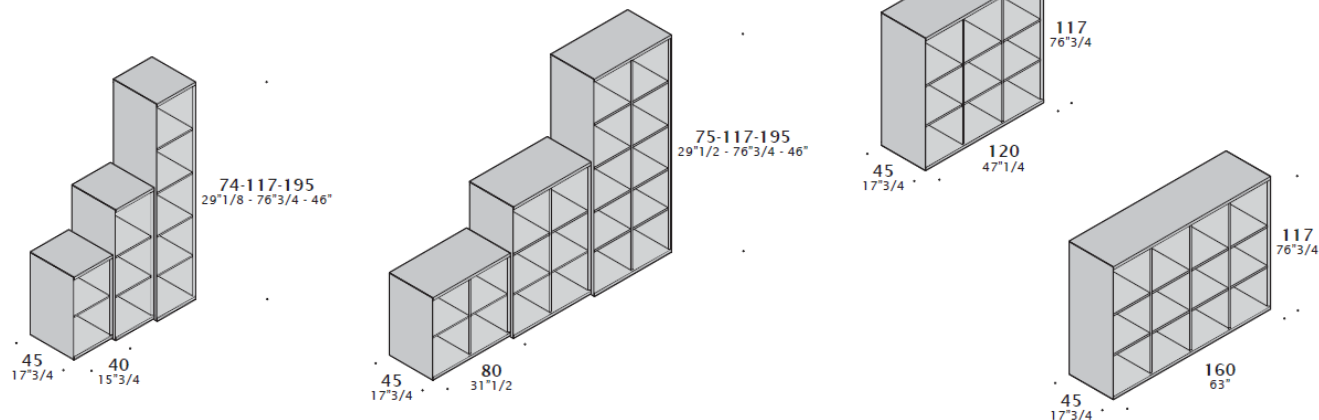
**Veneer:** see structures finishes.

**Clear glass.**

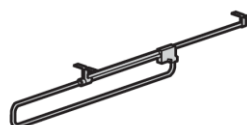
**DIMENSIONS**

**Open fronted storage units.**

It is possible to combine all the dimensions shown.



**ACCESSORIES**

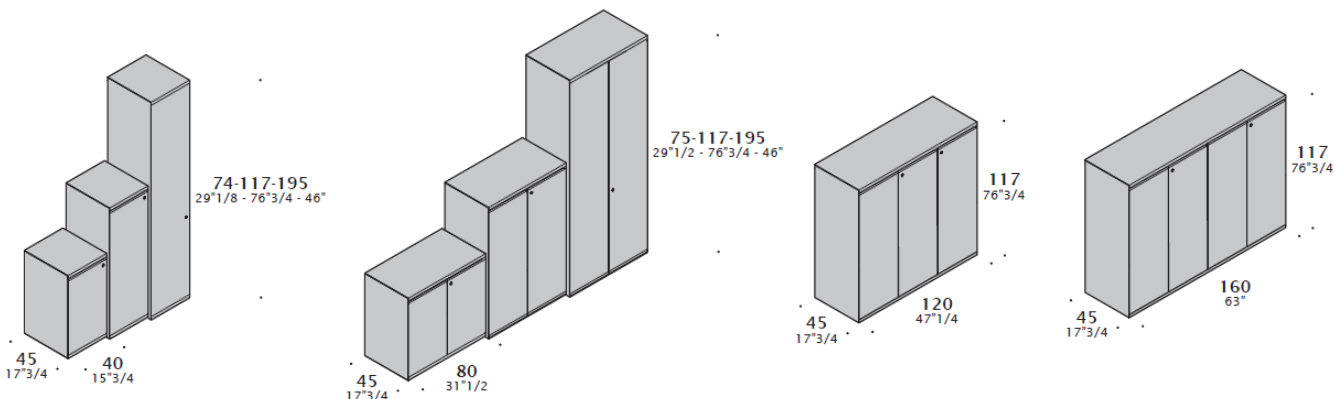


Coat hanger for Melamine shelves.

**DIMENSIONS**

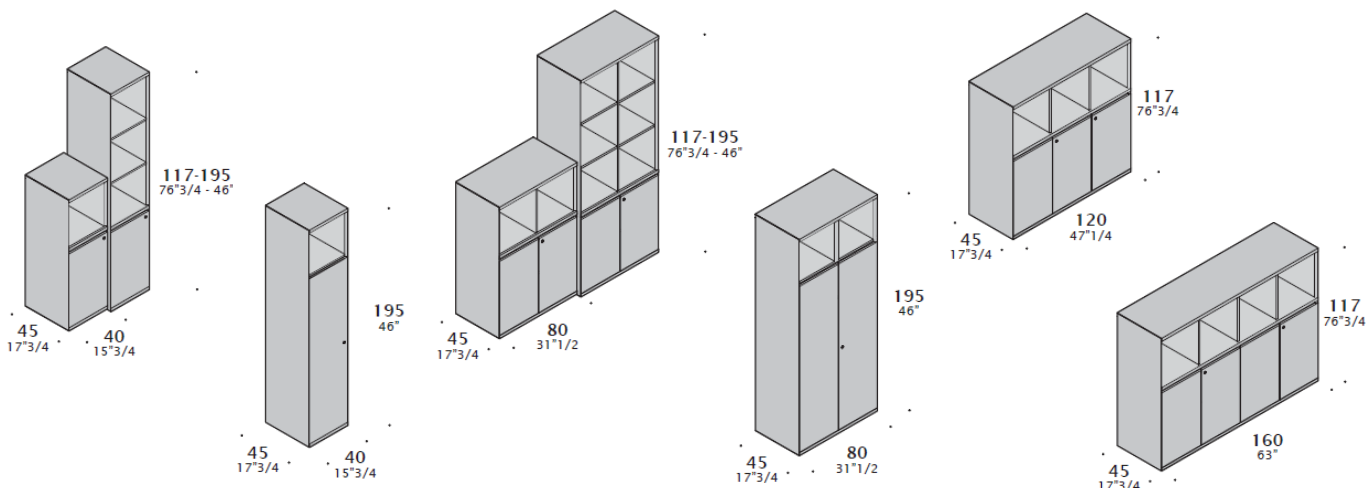
**Storage units with hinged doors.**

It is possible to combine all the dimensions shown.



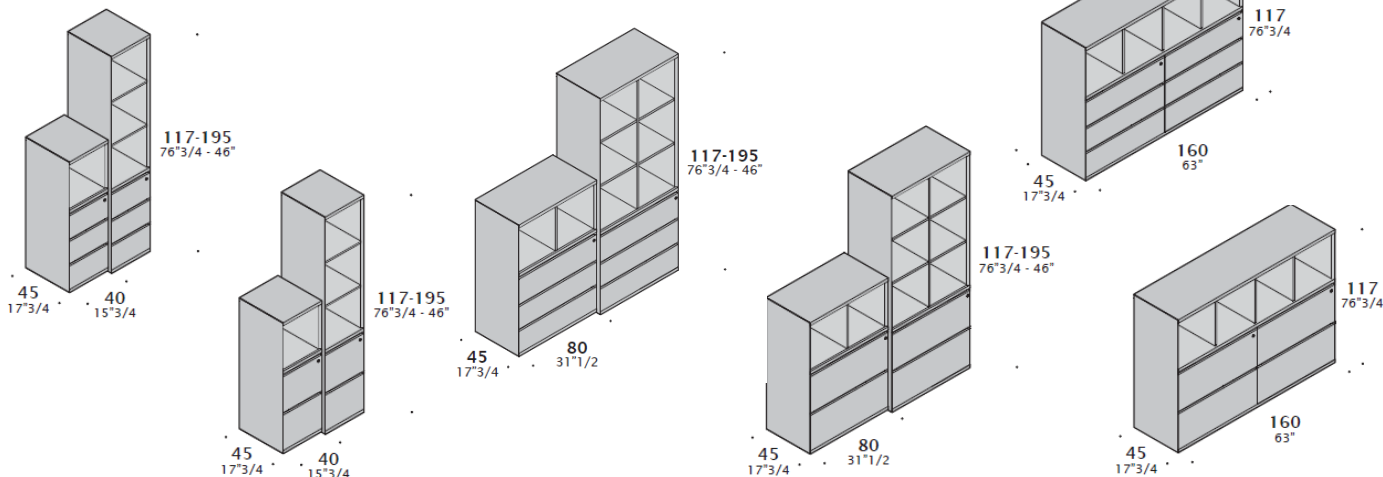
**Storage units with hinged doors and upper front compartment.**

It is possible to combine all the dimensions shown.



**Storage units with 3 drawers or 2 filing cabinets and upper open front compartment.**

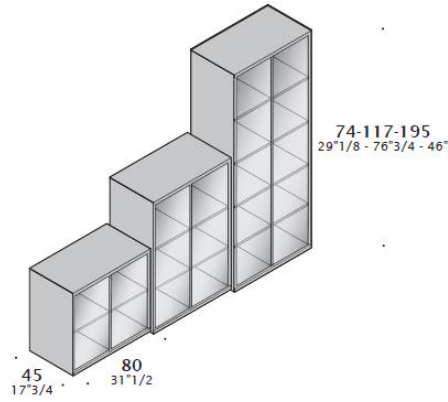
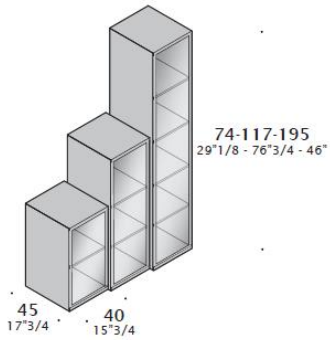
It is possible to combine all the dimensions shown.



**DIMENSIONS**

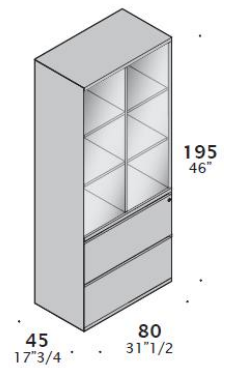
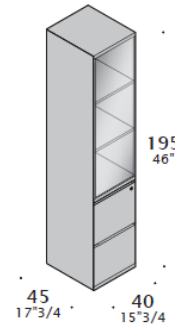
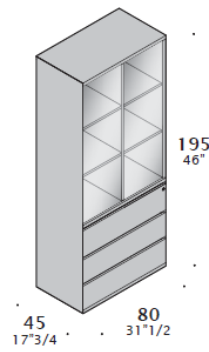
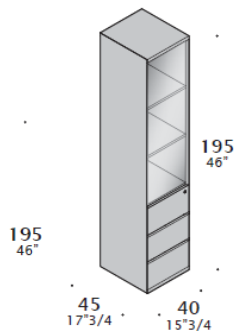
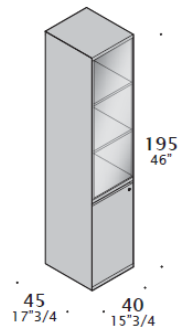
**Storage units with framed glass doors.**

It is possible to combine all the dimensions shown.



**Glass storage units with hinged doors, 3 drawers or 2 filing cabinets and upper front compartment.**

It is possible to combine all the dimensions shown.



**Storage units with 3 drawers or 2 filing cabinets.**

It is possible to combine all the dimensions shown.

